



CYLINDER REGULATORS

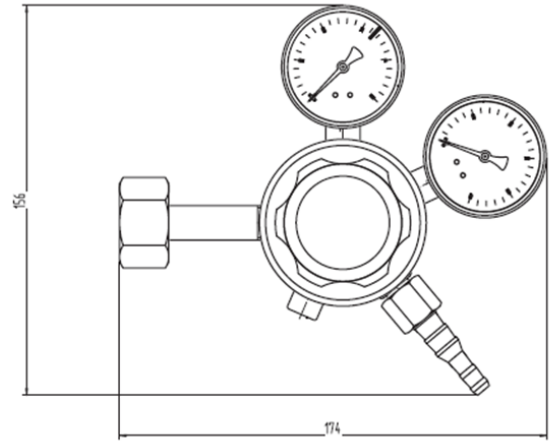
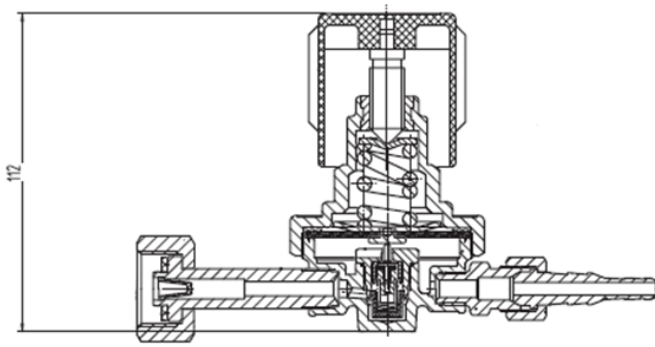
GCE KRASS REGULATOR

GCE KRASS regulator is the single stage cylinder regulator for common applications of technical gases up to 230 bar service.

- Ergonomic handwheel for easy pressure adjustment
- Inlet connection complying to local standard with side entry
- Pressure gauges with two scales in bar and psi
- Flow gauge showing the value in litre per minute
- Useful in various application as e.g.:
 - > Shielding gas arc welding
 - > Flame welding
 - > Oxy-fuel cutting
 - > Flame brazing
 - > Different heating process
 - > Flame spraying



DIMENSIONS SCHEME



TECHNICAL DATA

Gas	Oxygen	Argon	CO ₂	Acetylene	Propane
Body	Forged Brass				
Bonnet	Aluminum				
Stems, nuts and fittings	Brass stems and nuts with aluminum nipples				
Diaphragm	Rubber				
Seat sealing	PU			Rubber	
Inlet/ Outlet connection	Gas specific connection				
Maximal inlet pressure	230 bar			25 bar	
Outlet pressure/ flow range	0-10 bar	0-35 l/min		1,5 bar	4 bar
Temperature range	From -25°C to 50°C				
Weight	Approx. according to gas variant 0.8 Kg				
Pressure relief valve	With PRV			No PRV	



0870761KR

Article Number	Gas	Max inlet pressure (bar)	Outlet pressure	Nominal flowrate	Inlet connection	Outlet connection
0870761KR	Oxygen	230 bar	10 bar	30 m ³ /h	G5/8" RH M (BS3)	G3/8RH M*
0870762KR	Acetylene	25 bar	1.5 bar	5 m ³ /h	G5/8" LH M (BS4)	G3/8LH M*
0870763KR	Propane	25 bar	4 bar	5 m ³ /h	W21.8LH F (DIN1)	G3/8LH M*
0870764KR	Argon	230 bar	N/A	35 l/min	G5/8 RH M (BS3)	G3/8RH M*
0870765KR	CO ₂	230 bar	N/A	35 l/min	W21.8RH F (BS8)	G3/8RH M*

*M-male, F-female



0870762KR



0870763KR



0870764KR



0870765KR

GCE Group
www.gcegroup.com

Art. Nr. 735100001444. Edition 1/2021. Alterations are subject to change without notice.26022021md © 2021

GCE
 Gas Control Equipment